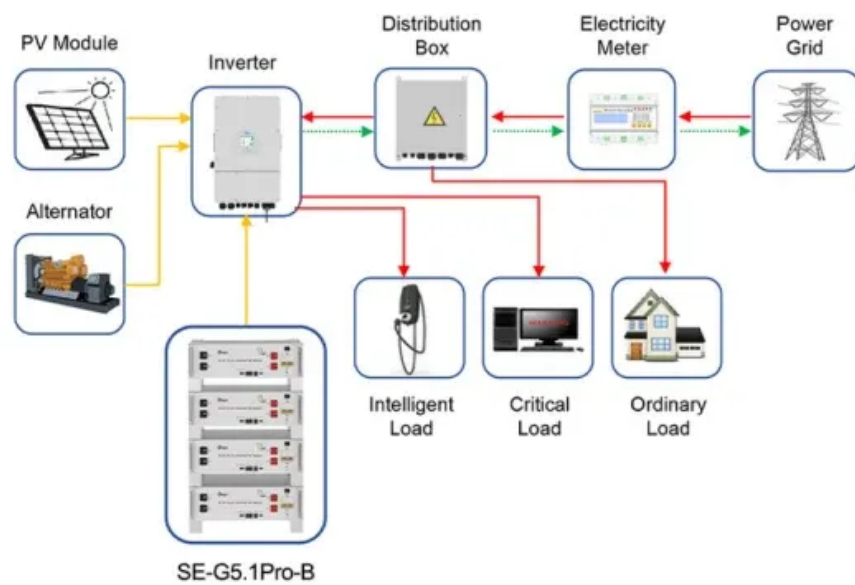


# What are the energy storage container manufacturers in Burundi



Application scenarios of energy storage battery products



## What are the energy storage container manufacturers in Burundi

---



### [5MW Energy Storage Container for Burundi Cement Plant](#)

Leading European provider of containerized microgrid solutions, mobile energy storage containers, portable power containers, PV module containers, and intelligent power container systems.

### Concrete "battery" developed at MIT now packs 10 times the power

New concrete and carbon black supercapacitors with optimized electrolytes have 10 times the energy storage of previous designs and can be incorporated into a wide range of architectural



### **BURUNDI ENERGY STORAGE CONTAINER OFFICE**

These solutions, offered under the title of Container for sale Burundi, provide a modern and sustainable alternative to the building needs in the region by offering a wide range of usage areas from

### New materials could boost the energy efficiency of microelectronics

MIT researchers developed a new fabrication method that could enable them to stack multiple active components, like transistors and memory units, on top of an existing circuit, which





## [Burundi Energy Storage Container House: Powering Sustainable](#)

As this East African nation pushes toward economic growth, innovative energy solutions like containerized energy storage systems are becoming game-changers. Let's explore how these

## **Report: Antora Energy Business Breakdown**

Fluence Energy, a publicly-traded leader in grid-scale energy storage, is valued at approximately \$1.4 billion as of August 2025. Similarly,



## **New facility to accelerate materials solutions for fusion energy**

The new Schmidt Laboratory for Materials in Nuclear Technologies (LMNT) at the MIT Plasma Science and Fusion Center accelerates fusion materials testing using cyclotron proton beam

## [BURUNDI ENERGY STORAGE CONTAINER MANUFACTURING](#)

What is a containerized energy storage system?The Containerized energy storage system refers to large lithium energy storage systems installed in sturdy, portable shipping containers, which usually



## **A new approach could fractionate crude oil using much less energy**

MIT engineers developed a membrane that filters the components of crude oil by their molecular

size, an advance that could dramatically reduce the amount of energy needed for crude oil

## BURUNDI ENERGY STORAGE CONTAINER MANUFACTURING

Professional photovoltaic solutions including solar containers, folding photovoltaic containers, solar inverters, and energy storage systems. GermanSolarZA provides comprehensive solar energy



## MIT Energy Initiative conference spotlights research

At the MIT Energy Initiative's Annual Research Conference, industry leaders agreed collaboration is key to advancing critical technologies amidst a changing energy landscape.



## BURUNDI PRECISION ENERGY STORAGE POWERING AFRICA'S

Portable energy storage products are a safe, portable, stable, and environmentally friendly small energy storage system that uses built-in high energy density lithium-ion batteries to provide a stable AC and



## **Burundi Special Steel Energy Storage Equipment Manufacturing**

Burundi Special Steel Energy Storage Equipment Manufacturing Discover how Burundi's lithium battery chassis manufacturers are driving energy storage innovation and meeting the growing demand for

## [Using liquid air for grid-scale energy storage](#)

Liquid air energy storage could be the lowest-cost solution for ensuring a reliable power supply on a future grid dominated by carbon-free yet intermittent energy sources, according to a new



## [Burundi energy storage cabinet new energy manufacturer](#)

This article explores the rising importance of local energy storage battery brands in Burundi, their applications, and how innovative technologies like those from EK SOLAR are shaping

## **How artificial intelligence can help achieve a clean energy future**

A look at how AI can be used to help support the clean energy transition by helping to manage power grid operations, plan infrastructure investments, guide the development of novel



## [Explained: Generative AI's environmental impact](#)

MIT News explores the environmental and sustainability implications of generative AI technologies and applications.

## [Burundi Energy Storage Materials Related Companies](#)

Leading battery manufacturers are developing next-generation sodium-ion solutions for applications ranging from home energy storage



to grid-scale deployment. This article ranks the top sodium-ion



### [What's the best way to expand the US electricity grid?](#)

Growing energy demand means the U.S. will almost certainly have to expand its electricity grid in coming years. What's the best way to do this? A new study by MIT researchers examines

### **Evelyn Wang: A new energy source at MIT**

As MIT's first vice president for energy and climate, Evelyn Wang is working to broaden MIT's research portfolio, scale up existing innovations, seek new breakthroughs, and channel



## **Contact Us**

---

For catalog requests, pricing, or partnerships, please visit:  
<https://bachelorpartyvenue.co.za>