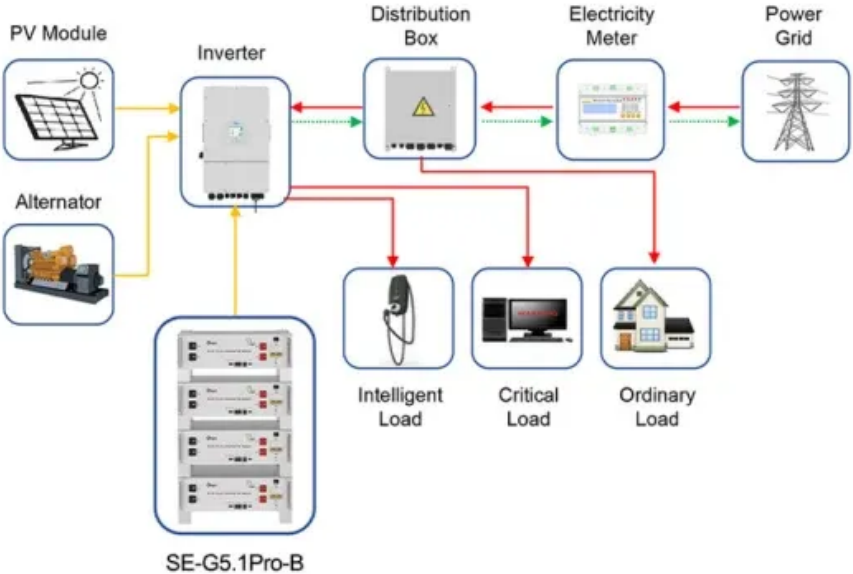


# How much electricity can a home solar light generate



Application scenarios of energy storage battery products



## Overview

---

In 2025, standard residential solar panels produce between 390-500 watts of power, with high-efficiency models reaching 500+ watts. However, the actual energy output depends on multiple factors including your location, roof orientation, weather conditions, and system design.

## How much electricity can a home solar light generate

---

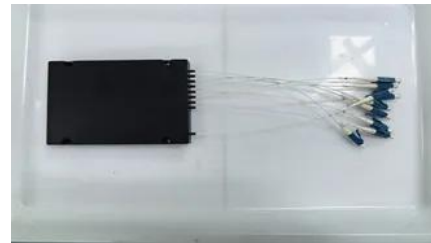


### What does much mean?

Much is an adjective that refers to a large quantity, amount, or degree of something. It indicates a substantial extent or level of something, generally implying a significant or notable difference or

### [How Much Energy Does a Solar Panel Produce in 2025?](#)

In 2025, standard residential solar panels produce between 390-500 watts of power, with high-efficiency models reaching 500+ watts. However, the actual energy output depends on multiple



### PVWatts Calculator

Estimates the energy production and cost of energy of grid-connected photovoltaic (PV) energy systems throughout the world. It allows homeowners, small building owners, installers and manufacturers to

### [How Much Energy Does A Solar Panel Produce?](#)

A 400-watt panel can generate roughly 1.6-2.5 kWh of energy per day, depending on local sunlight. To cover the average U.S. household's 900





## MUCH Definition & Meaning

The meaning of MUCH is great in quantity, amount, extent, or degree. How to use much in a sentence.



## [Much Definition & Meaning , YourDictionary](#)

Much definition: Great in quantity, degree, or extent.



## MUCH , English meaning

MUCH definition: 1. a large amount or to a large degree: 2. a far larger amount of something than you want or need. Learn more.



## [How Much Solar Panels Generate Electricity: Myths and Facts](#)

Explore how much solar panels generate electricity, debunk common myths, and learn about their benefits and challenges in this informative guide.



## MUCH definition in American English , Collins English Dictionary

You use much to indicate the great intensity, extent, or degree of something such as an action, feeling, or change. Much is usually used with 'so,' 'too,' and 'very,' and in negative clauses with this meaning.

## Contact Us

---

For catalog requests, pricing, or partnerships, please visit:  
<https://bachelorpartyvenue.co.za>