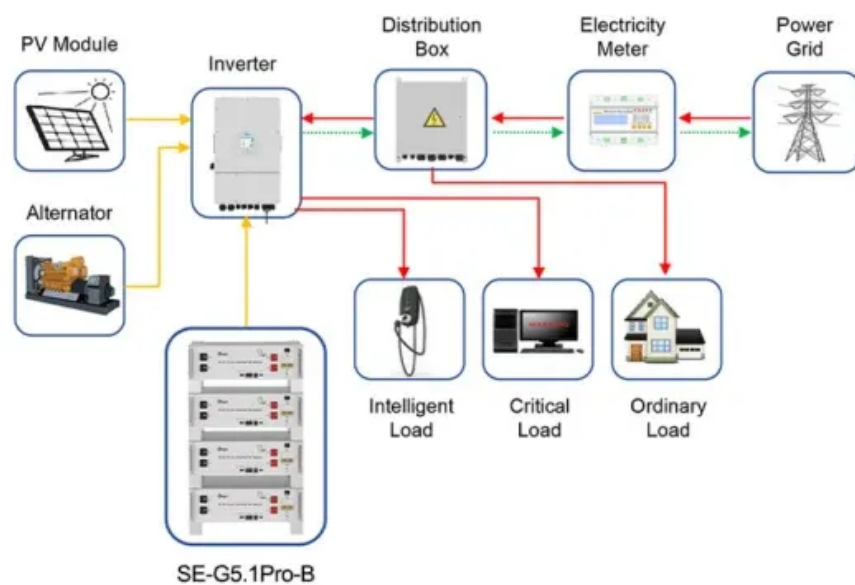


Battery generator for home



Application scenarios of energy storage battery products



Battery generator for home



[Low battery charge error , Volvo V40 Forums](#)

Hello everyone, I just bought my first car, a 2014 Volvo V40 T3, and a warning appears on the dashboard that says 'low battery charge.' The car is recently

"Low Battery Charge" HELP

Have the battery checked at dealers - and just using a multimeter on the battery won't show duff cells in the battery. A new battery-cured mine - any decent auto-electric garage could do it.



Low battery charge message

The low battery charge message relates to the main battery. On vehicles with stop/start systems and intelligent alternators, the vehicle battery is designed to operate at around 80% SOC, to

Main Battery Replacement

Since that battery also supplies power to the ECU memory when the car is switched off, as well as powering the stop/start system , don't ignore it. Like the main battery, Volvo recommend



BATTERY GENERATORS



Get free shipping on qualified Battery Generators products or Buy Online Pick Up in Store today in the Outdoors Department.

Battery issues

I've had both batteries replaced (with the correct models), done a 100 mile trip, overnight smart battery charge, charging voltage is fine, system messages cleared but I am still getting "low



Household Battery Recycling

Household battery recycling locations Lead-acid batteries, or "automotive type batteries," are banned from disposal. Consumers may bring lead-acid batteries to any Wisconsin retailer that sells these

Battery Recycling for Businesses

Battery Recycling for Businesses Use the chart below to determine how to handle used batteries generated by your business. Batteries that are considered hazardous must be recycled or managed



Main Battery Change

Going to change the service battery in my 15 V40cc D2. Anything I need to be ware of or look out for ??

Secondary Battery

My main battery just died, had it replaced with

same, and car kept giving me Battery charging, so no stop start. When stop/start worked, it was for about 10 sec, and car would start, with



Multiple Warning Lights/Error Messages/Battery deterioration

TBH I would look at a replacement battery on the back of that info - but can't you get one from where you bought it? I don't know what a compliance centre is but does the vehicle come with

Contact Us

For catalog requests, pricing, or partnerships, please visit:
<https://bachelorpartyvenue.co.za>